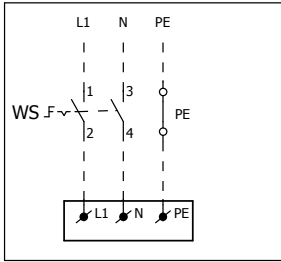
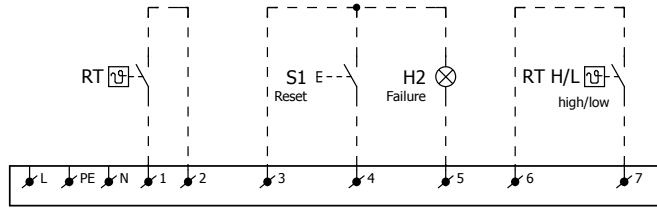
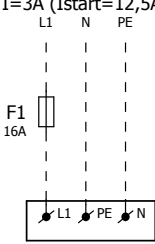


Connection with isolator switch

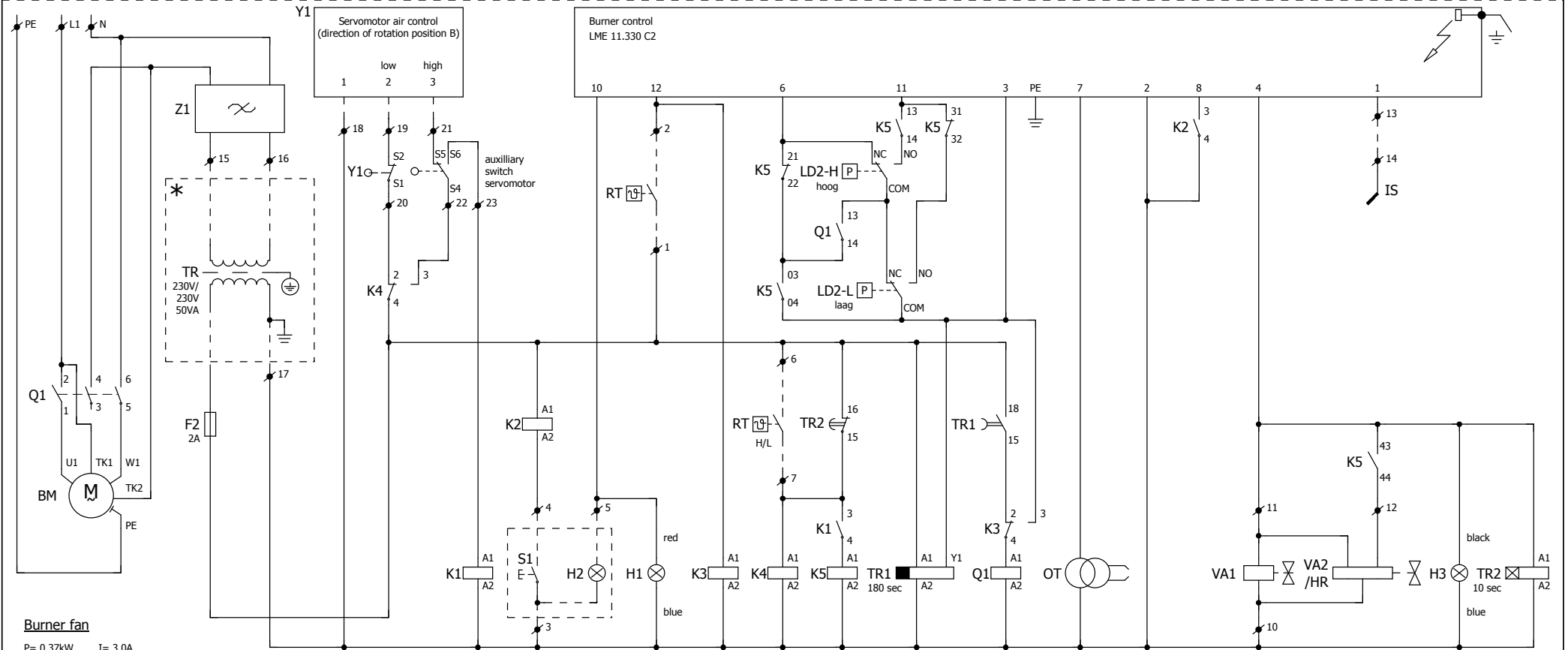


Power supply  
1~ 230V + N + PE / 50Hz  
I=3A (Istart=12,5A)



External connections

- I BM - Burner fan
- I F1, F2 - Fuse
- I H1, H2 - Alarm light
- I H3 - On
- I IS - Ionization bar
- I K1, K2, K3, K4, K5 - Auxiliary relay
- I LD2-H - Pressure switch high
- I LD2-L - Pressure switch low
- I OT - Ignition transformer
- I Q1 - Motor relay
- I RT - Room thermostat
- I RT-H/L - Room thermostat high/low
- I S1 - Reset button
- I TR - Transformer
- I TR1, TR2 - Time relay
- I VA1, VA2/HR - Gasvalve
- I WS - Isolator switch
- I Y1 - Servomotor with auxiliary switch
- I Z1 - Netfilter



Burner fan  
P= 0.37kW I= 3.0A